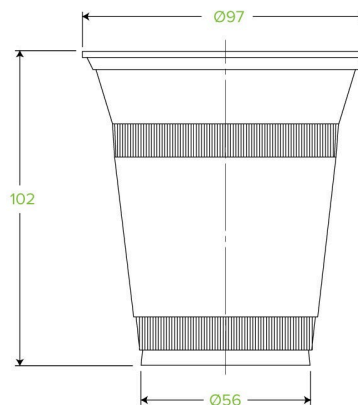


360ml Clear BioCup R-360Y



| | | |
|--|--|---|
| Carton quantity: 1000 | Sleeves per carton: 20 | Units per sleeve: 50 |
| Carton Size LxWxH (cm): 49.5 x 40.0 x 38.0 | Carton gross weight (kg): 10.300000 | Carton barcode: 19344062000652 |
| Raw material: Bioplastic - Ingeo™ PLA | Lining/coating: None | Window material: None |
| Printing Type: Offset | Inks: Food Contact Safe Inks | Brim fill capacity (ml): 375 |
| Dimensions top LxW (mm): 96x96 | Dimensions base LxW (mm): 56x56 | Product Depth: 84.0 |
| Product weight (g): 9.3 | Use: Cold use only | Manufactured: Taiwan |
| Customise: Print | MOQ custom: 50000 | Mould fees: Yes - see custom packaging |
| Environmental production certified: ISO 14001 | Quality product certified: ISO 9001 | Factory food safety certified: HACCP |
| Corporate social accreditation: SA 8000 | Home compostable: No | Industrially compostable: Certified to AS4376 Australian Standards, Certified to EN13432 European Standard |
| Recyclable: No | | |